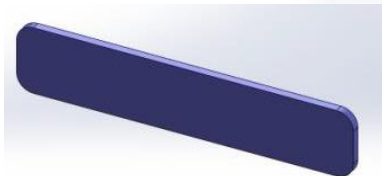
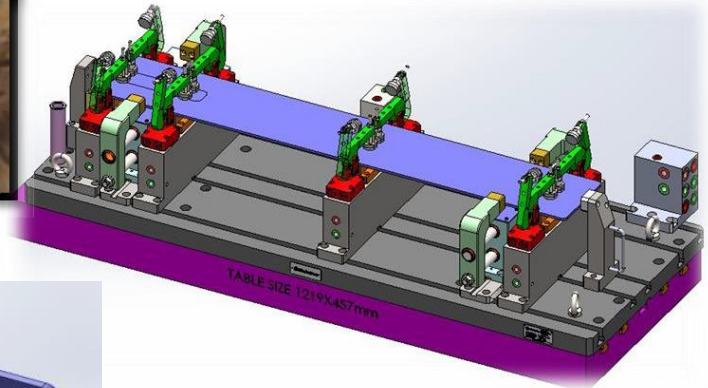
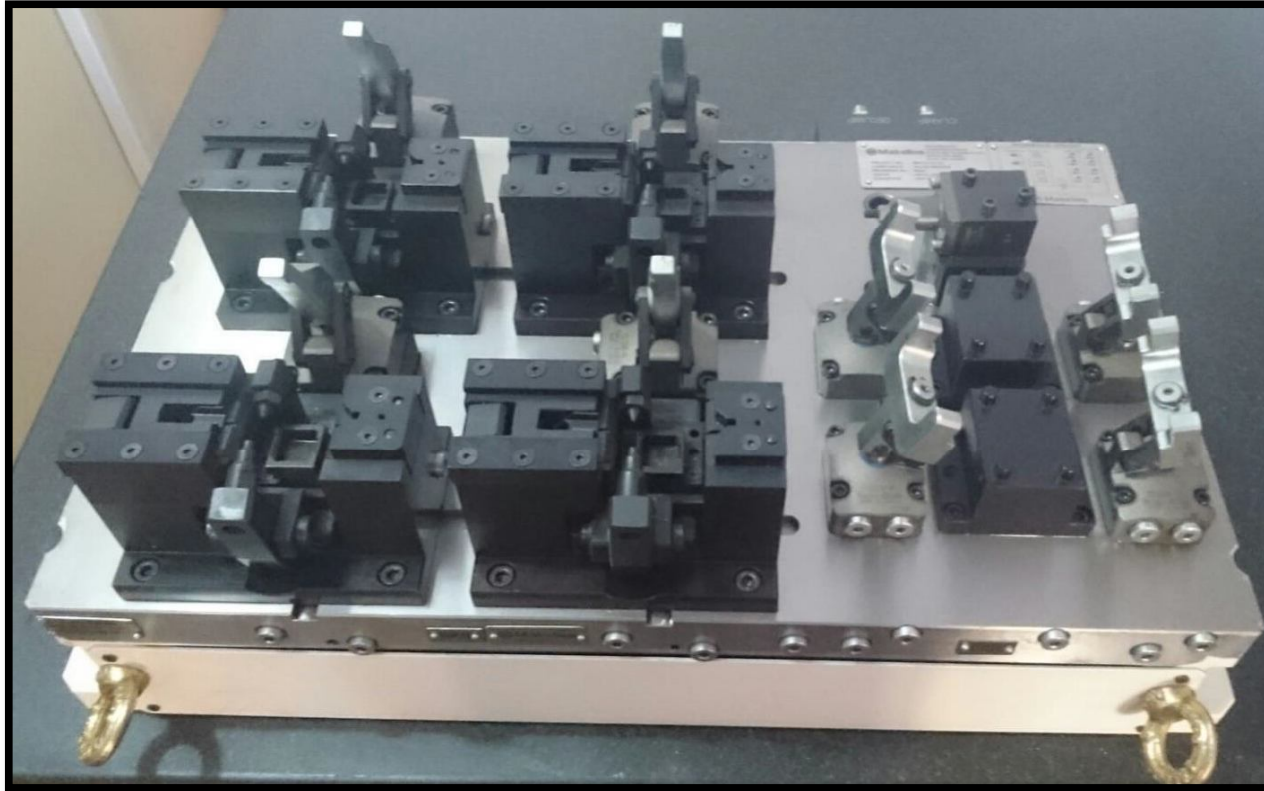


CASE STUDY

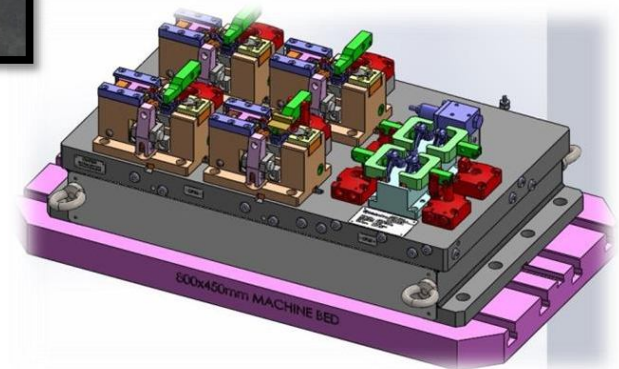
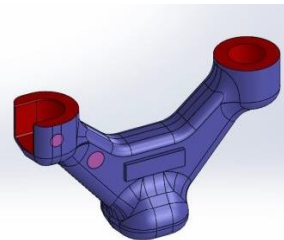


- **Fixture Type:** Stationary Hydraulic
- **Component :** Bus Bar
- **Variant :** 200 – 1800mm
- **Machine :** Haas

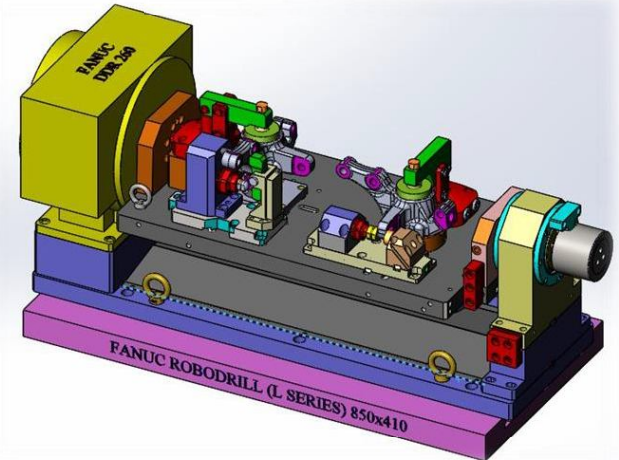
CASE STUDY



- **Fixture Type:** Stationary Hydraulic
- **Component :** Valve Bridge
- **Setups :** OP10 & OP20
- **Machine :** AMS

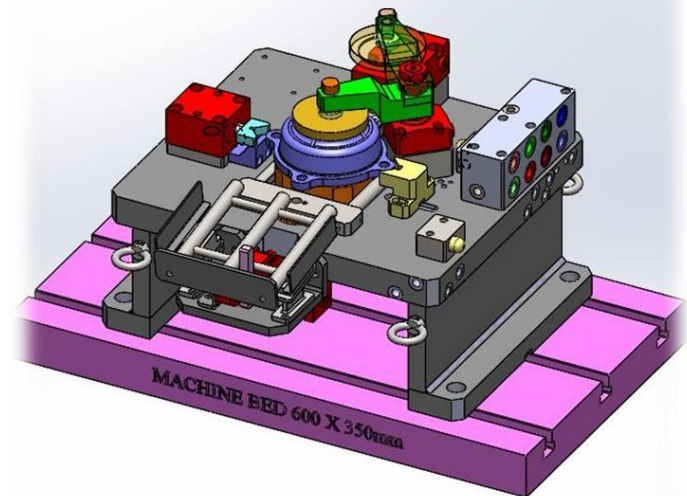


CASE STUDY



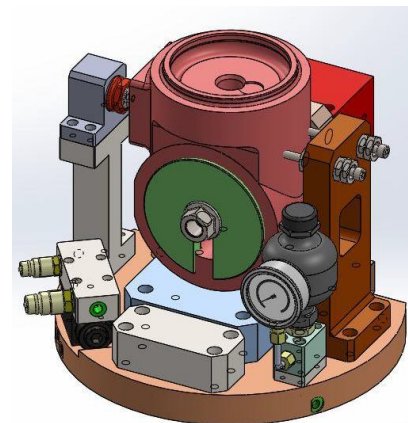
- **Fixture Type:** 4th Axis Hydraulic
- **Component :** Steering Knuckle
- **Setups :** OP10 & OP20
- **Machine :** Fanuc Robodrill

CASE STUDY



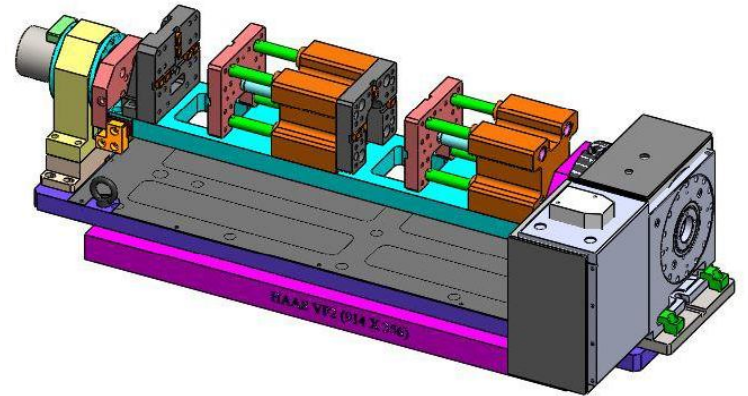
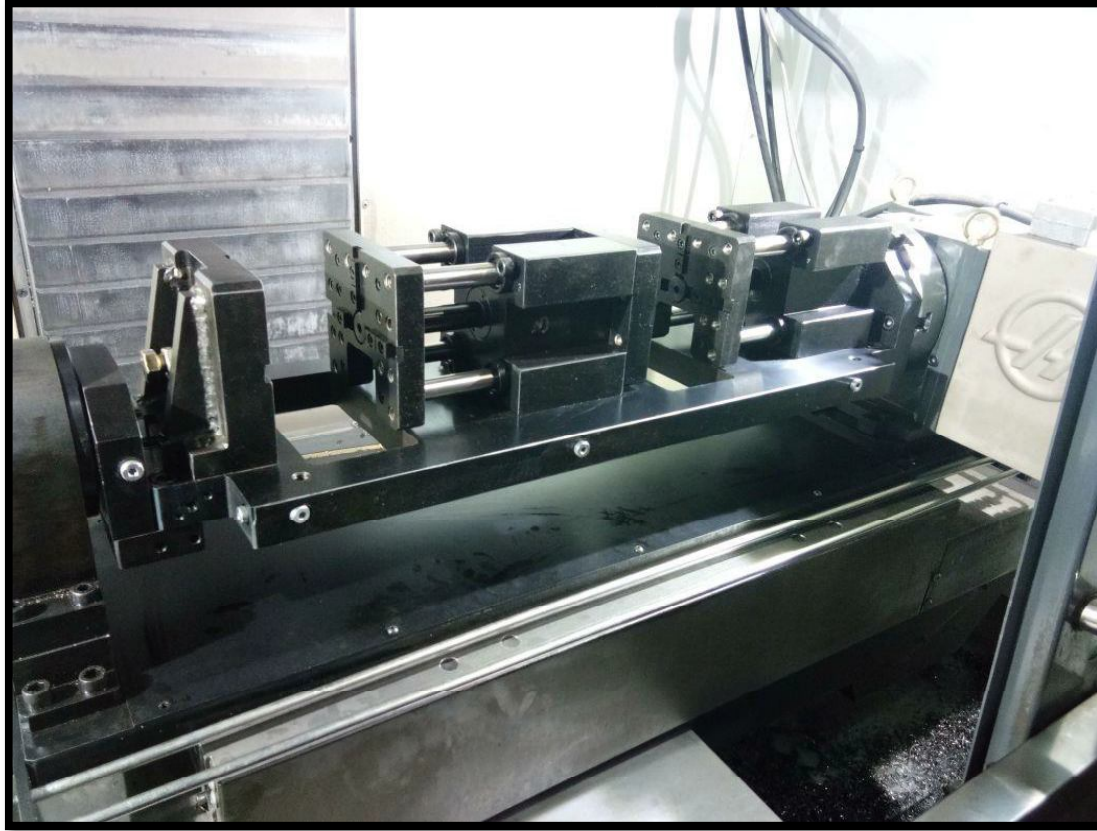
- **Fixture Type:** Stationary Hydraulic
- **Component :** Rear Axle Bearing
- **Setups :** OP10
- **Machine :** Tongtai

CASE STUDY



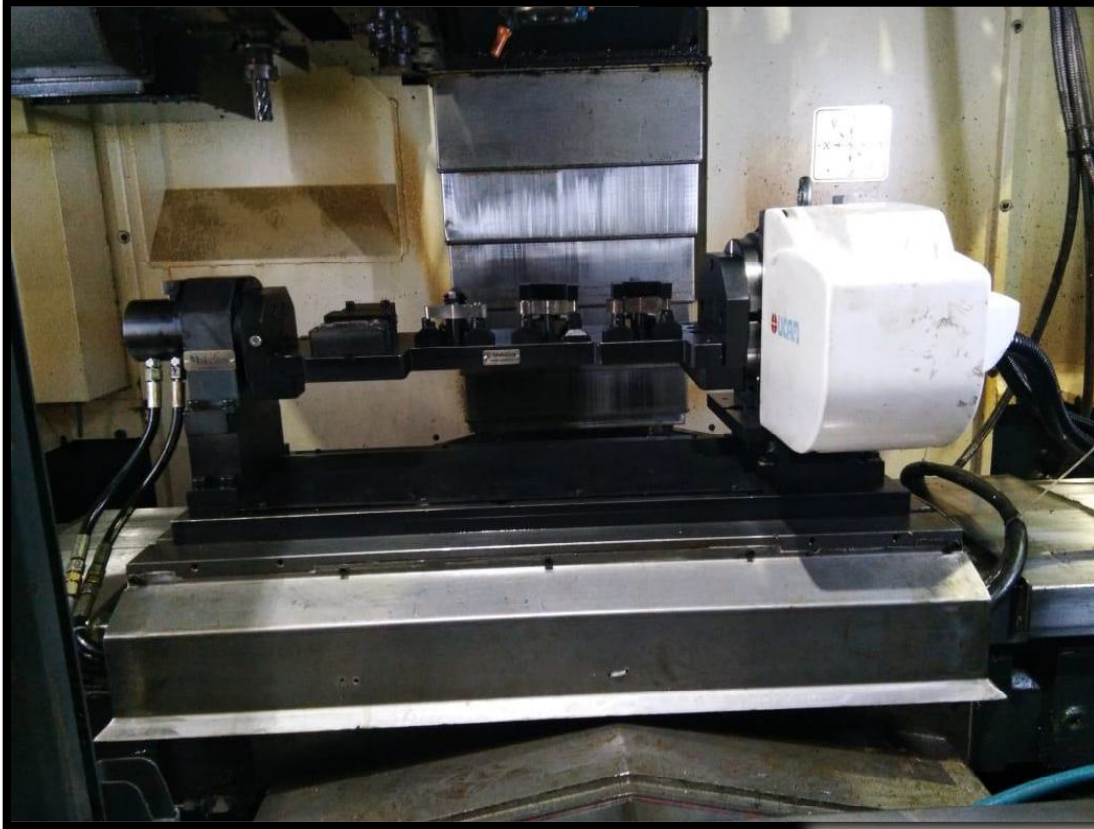
- **Fixture Type: Stationary Hydraulic**
- **Component : Cap End Cover**
- **Setups : OP20**
- **Machine : VTL**

CASE STUDY

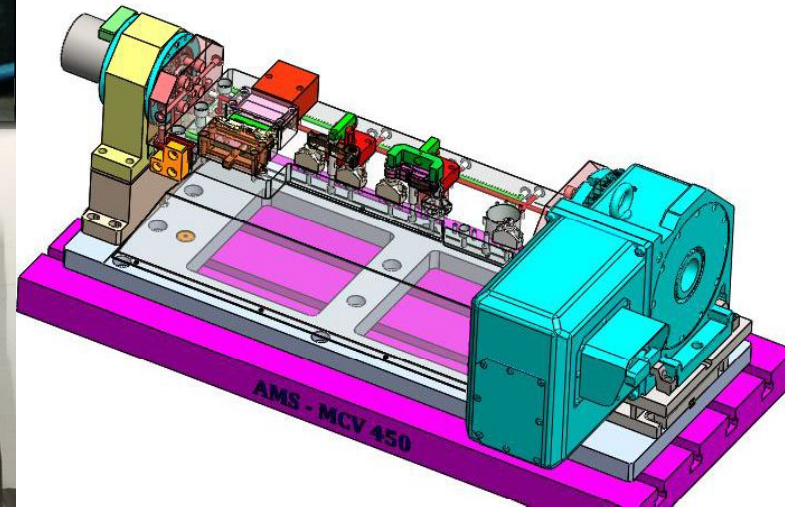


- **Fixture Type:** 4th Axis Hydraulic
- **Component :** Bath Fitting
- **Setups :** OP10
- **Machine :** HAAS

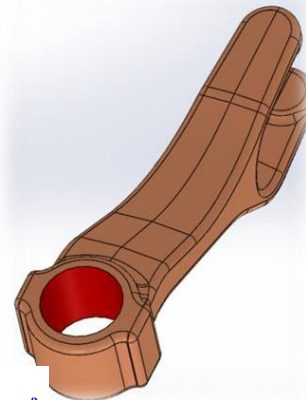
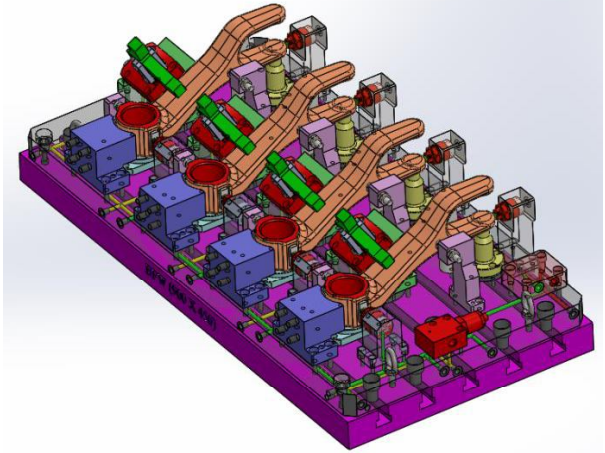
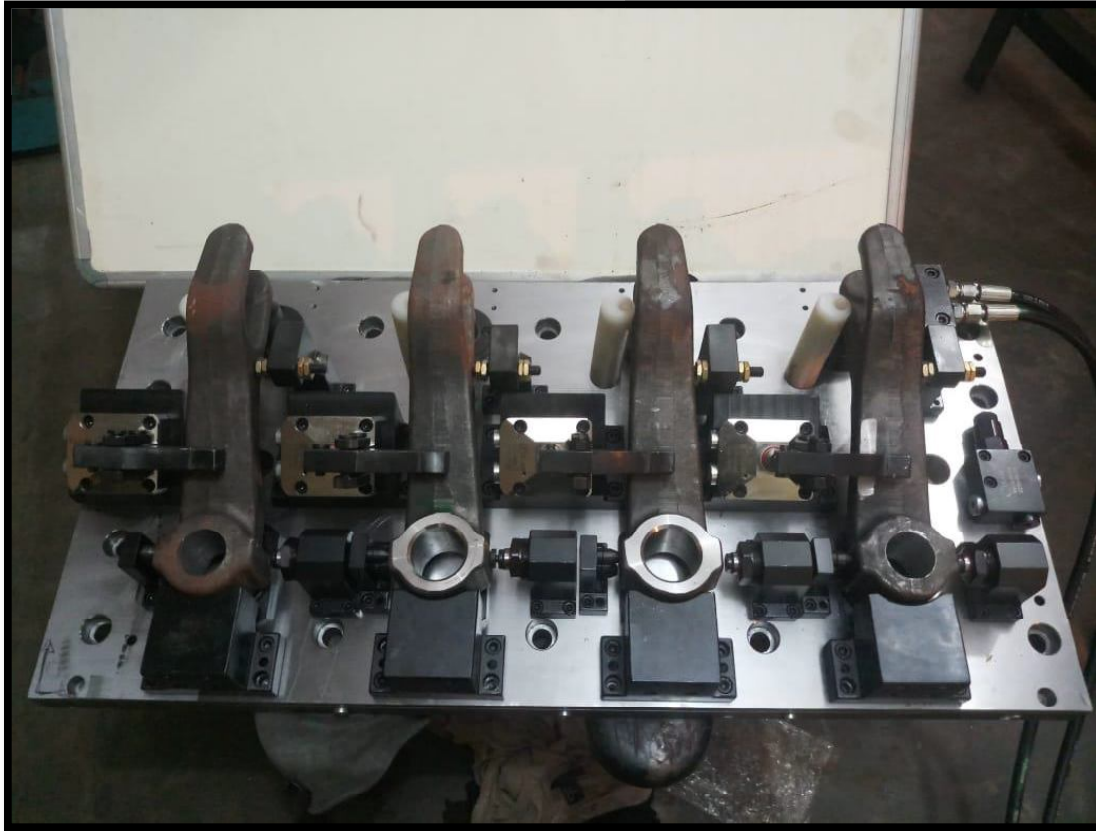
CASE STUDY



- **Fixture Type:** 4th axis Hydraulic
- **Component :** Mobile rack
- **Setups :** OP10 – OP50
- **Machine :** BFW

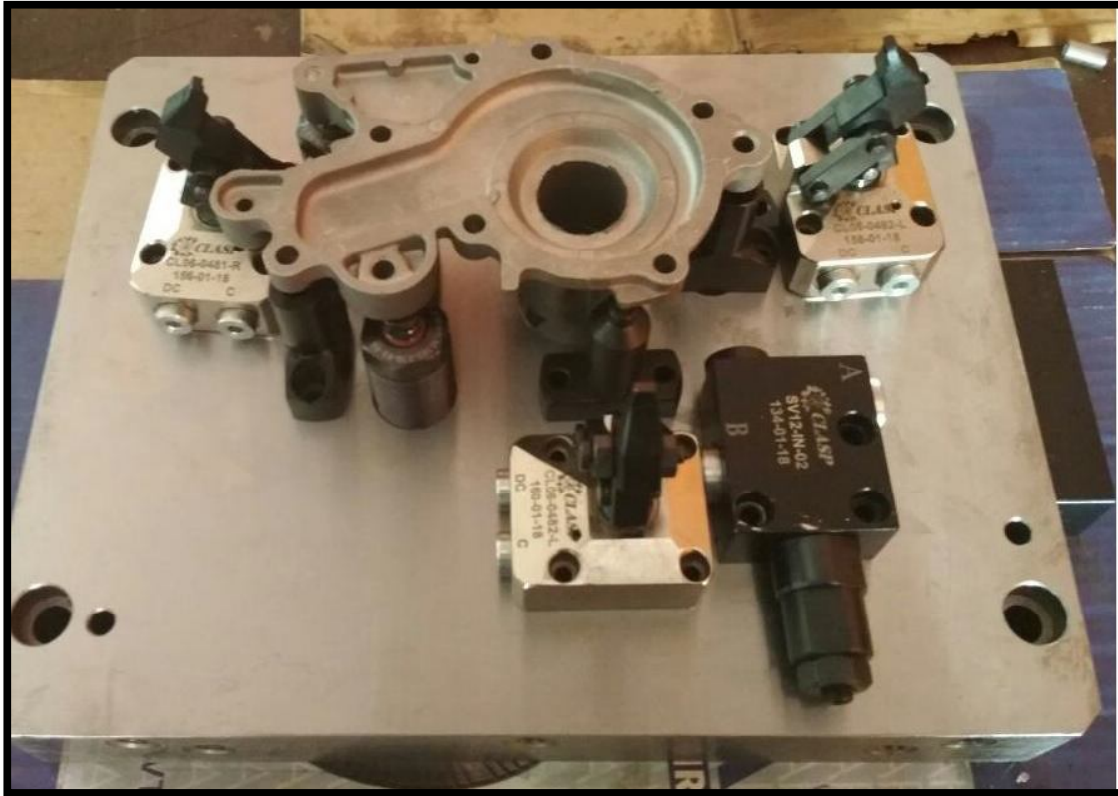


CASE STUDY



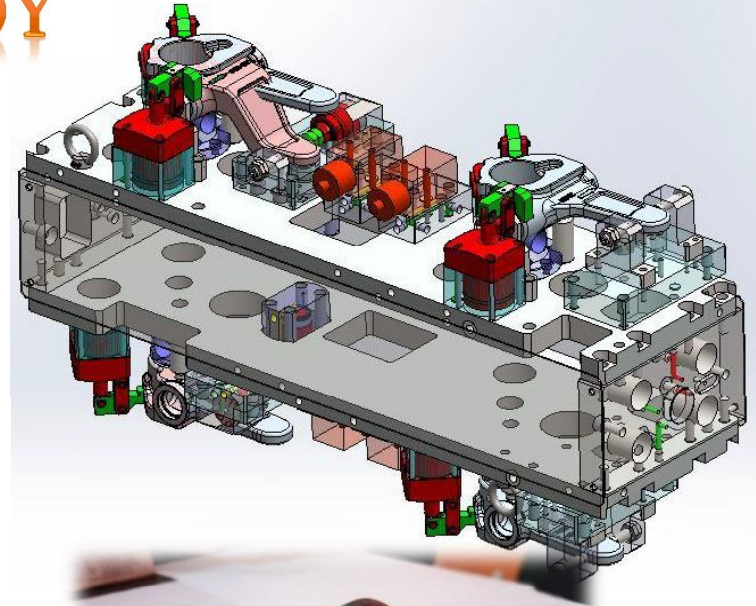
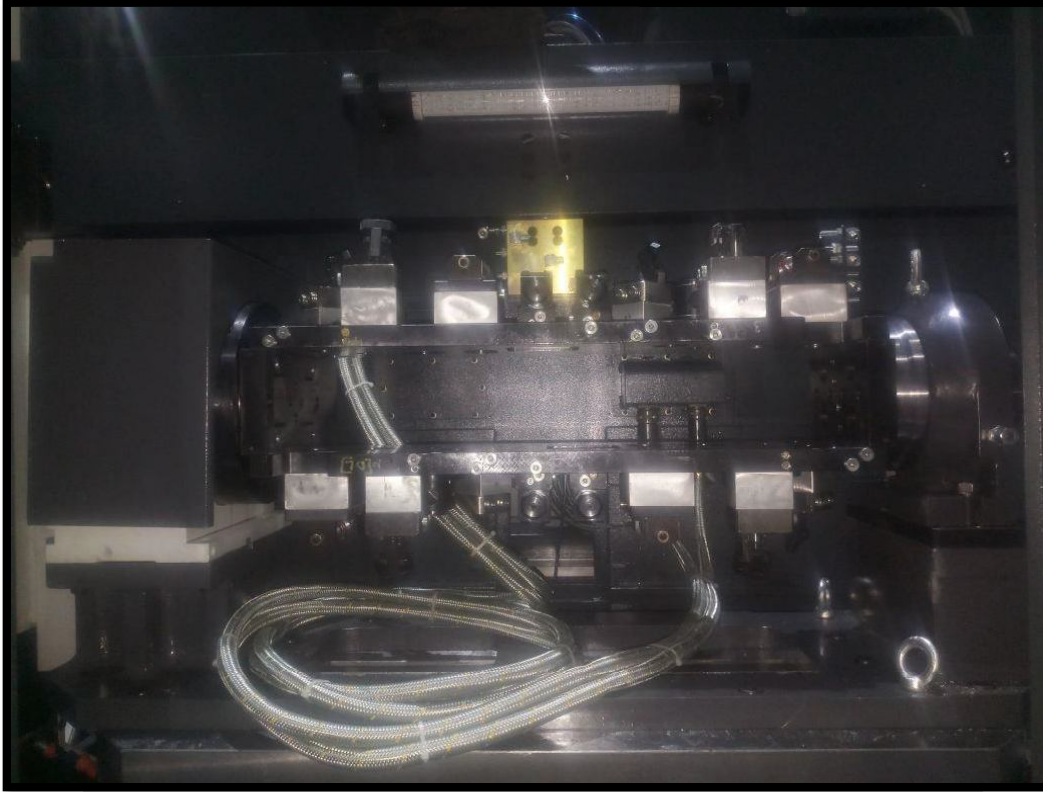
- **Fixture Type: Stationary Hydraulic**
- **Component : Lift arm**
- **Setups : OP10**
- **Machine : BFW**

CASE STUDY



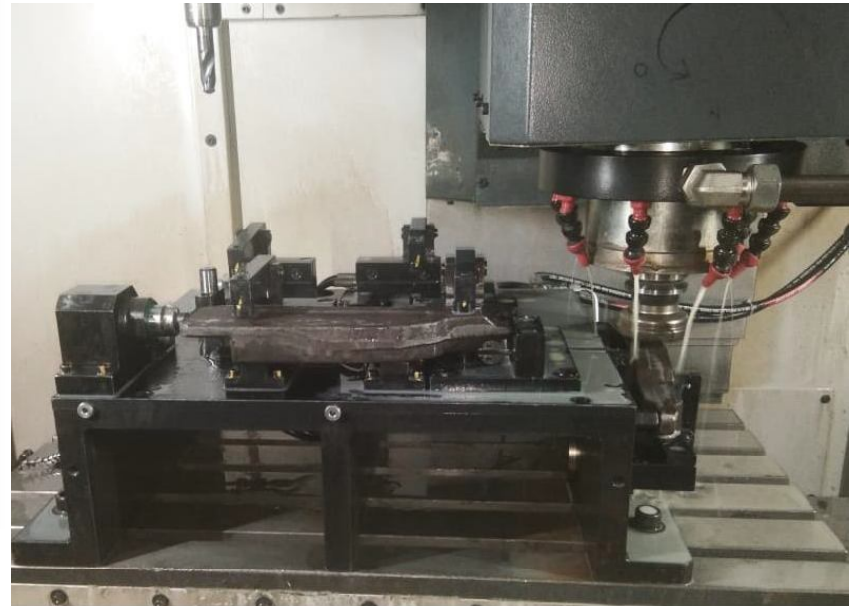
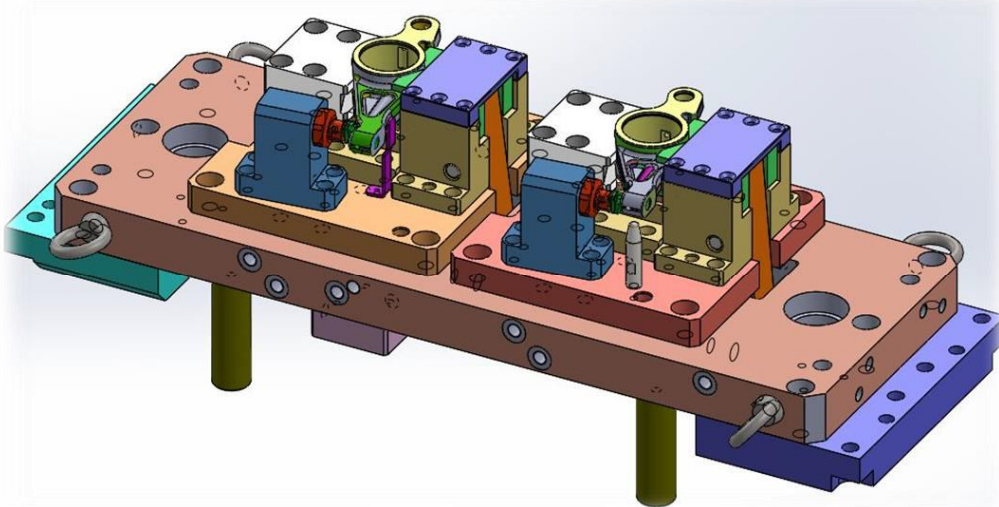
- **Fixture Type: Stationary Hydraulic**
- **Component : Pump Body**
- **Setups : Single setup**
- **Machine : AMS**

CASE STUDY

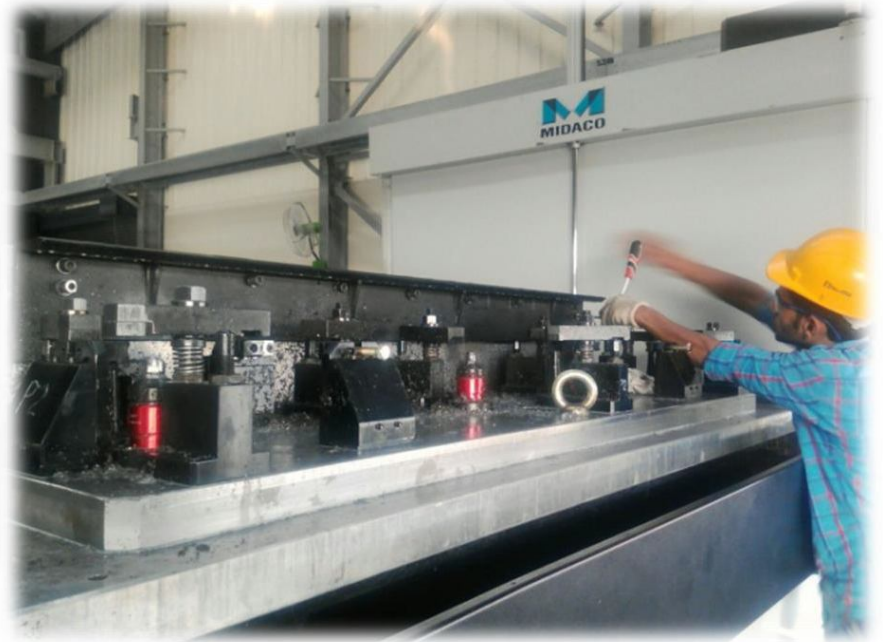
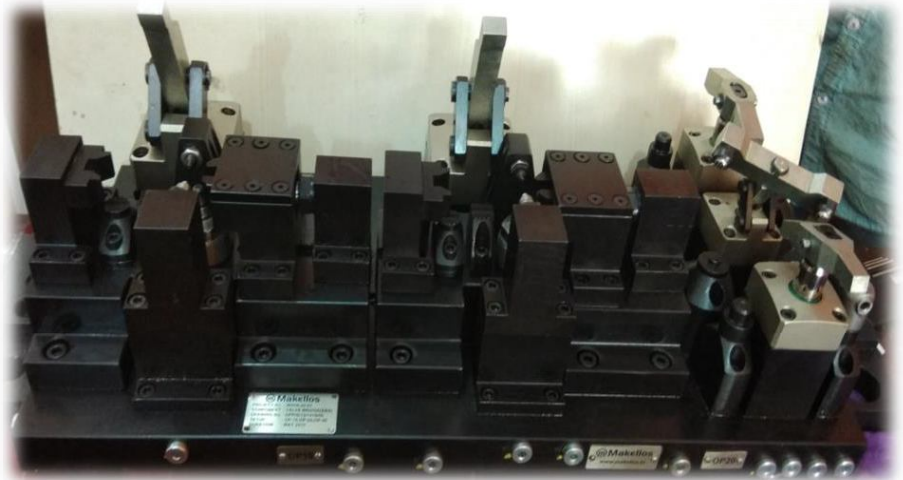


- **Fixture Type:** 4th Axis Hydraulic
- **Component :** SASA Body
- **Setups :** Single setup / Dual face loading type
- **Machine :** AMS





FIXTURE GALARY



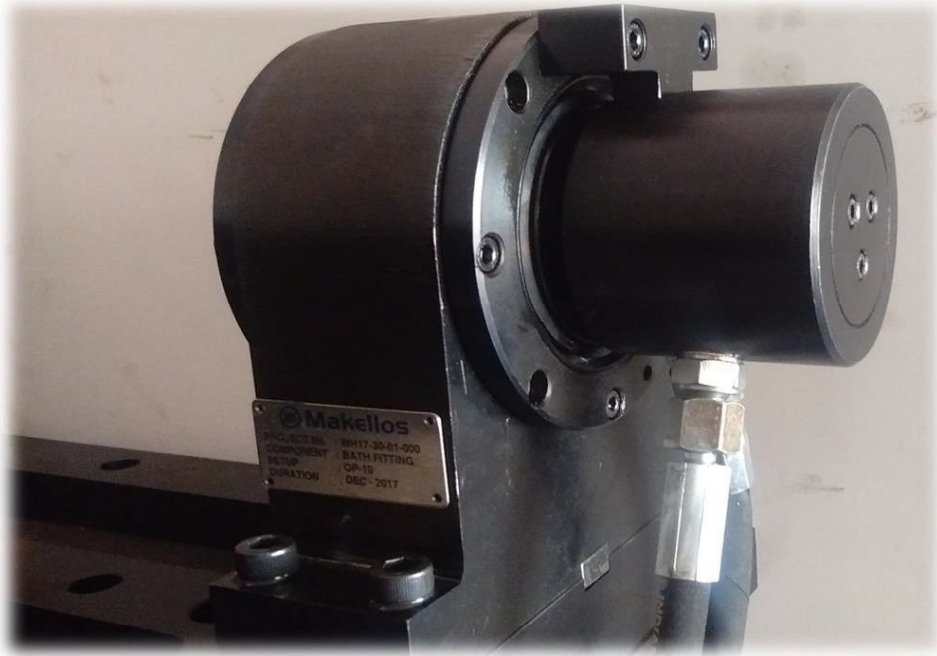
HYDRAULIC POWERPACK



- 2/4/8 Stack powerpack
- As per requirements
- PLC system .



SUPPORT TABLE



- ROTARY DISTRIBUTOR (3/4/6 Ports)
- Support Table ZS-150
- Support Table ZS-B-150 (Brake system)

ENGG PROJECTS

